

Fig. 1

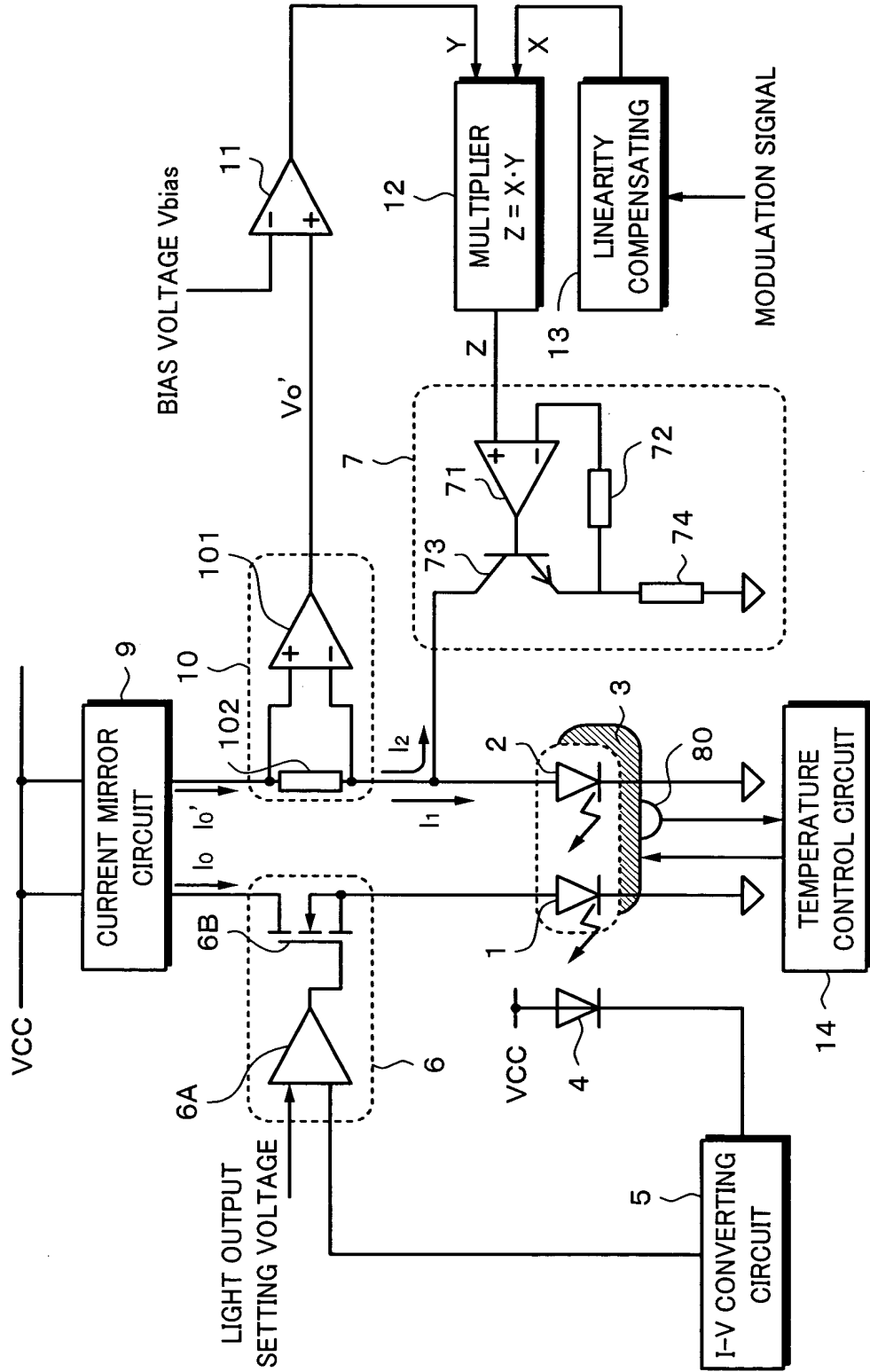


Fig. 2

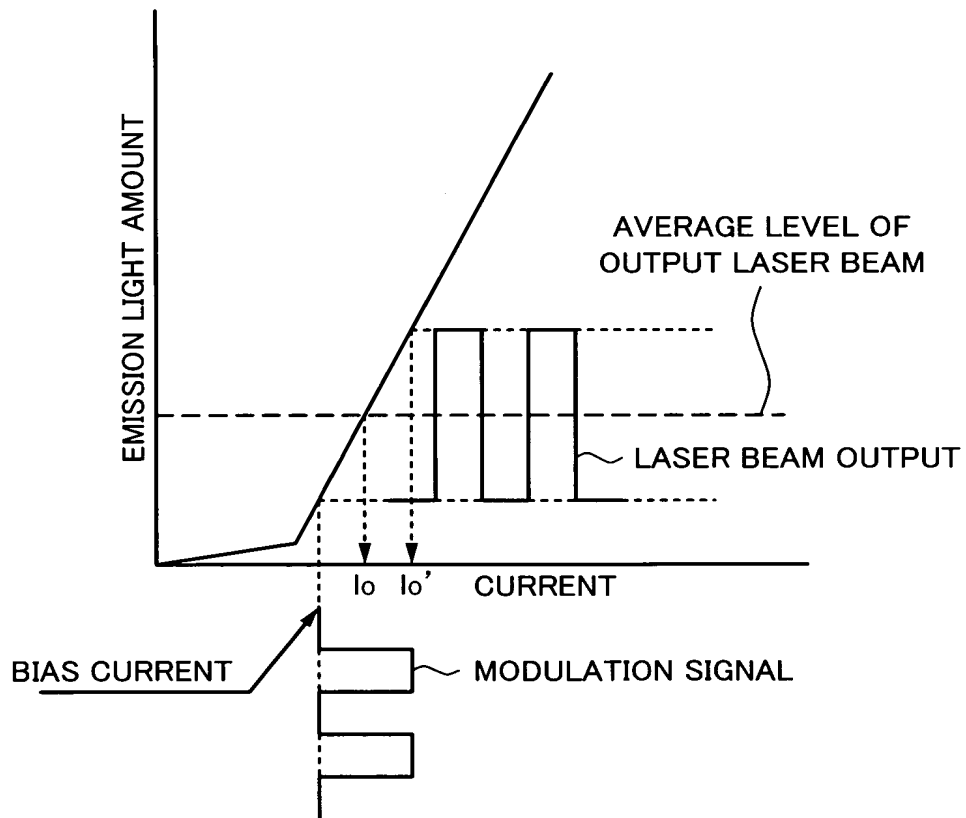


Fig. 3

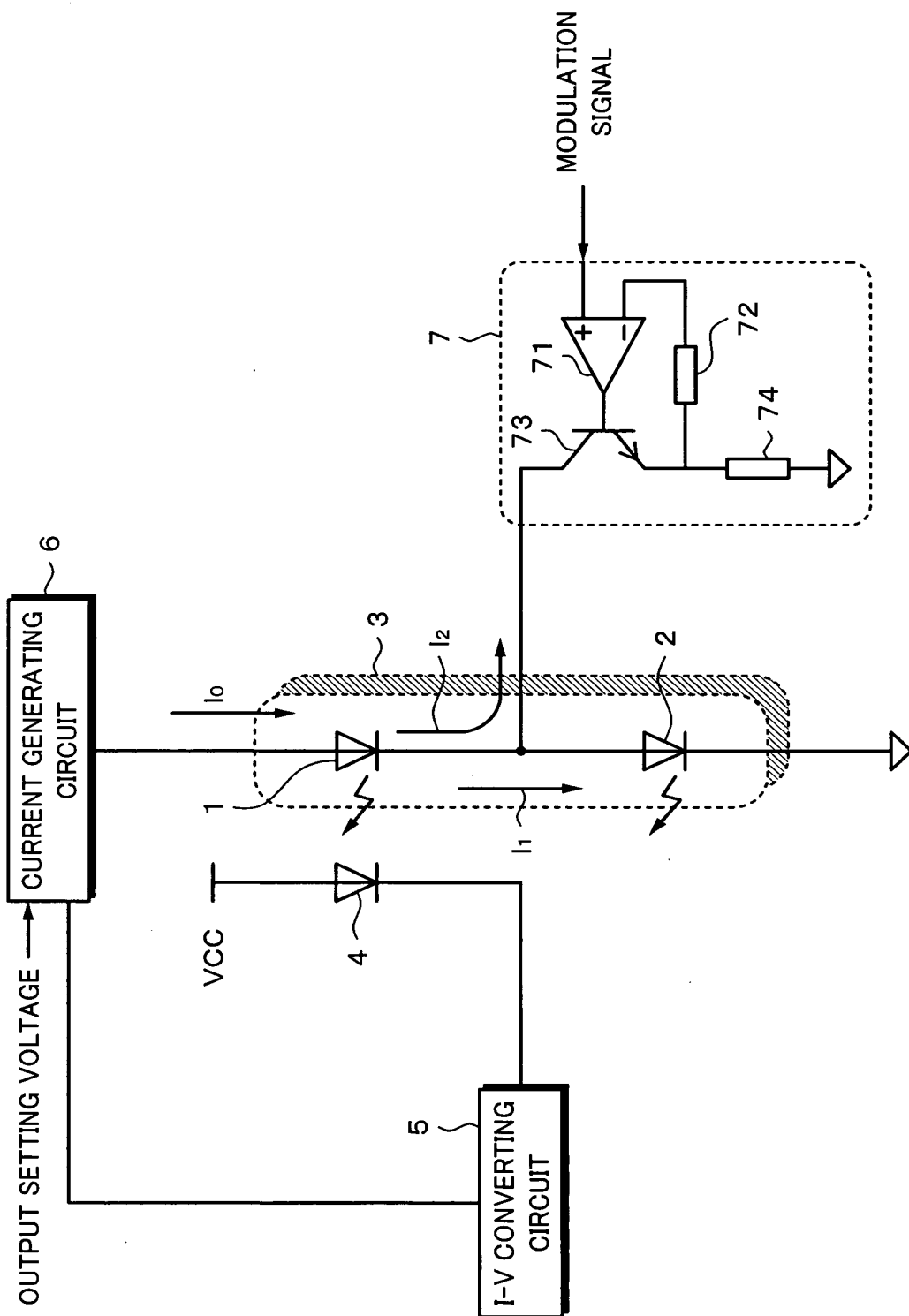


Fig. 4

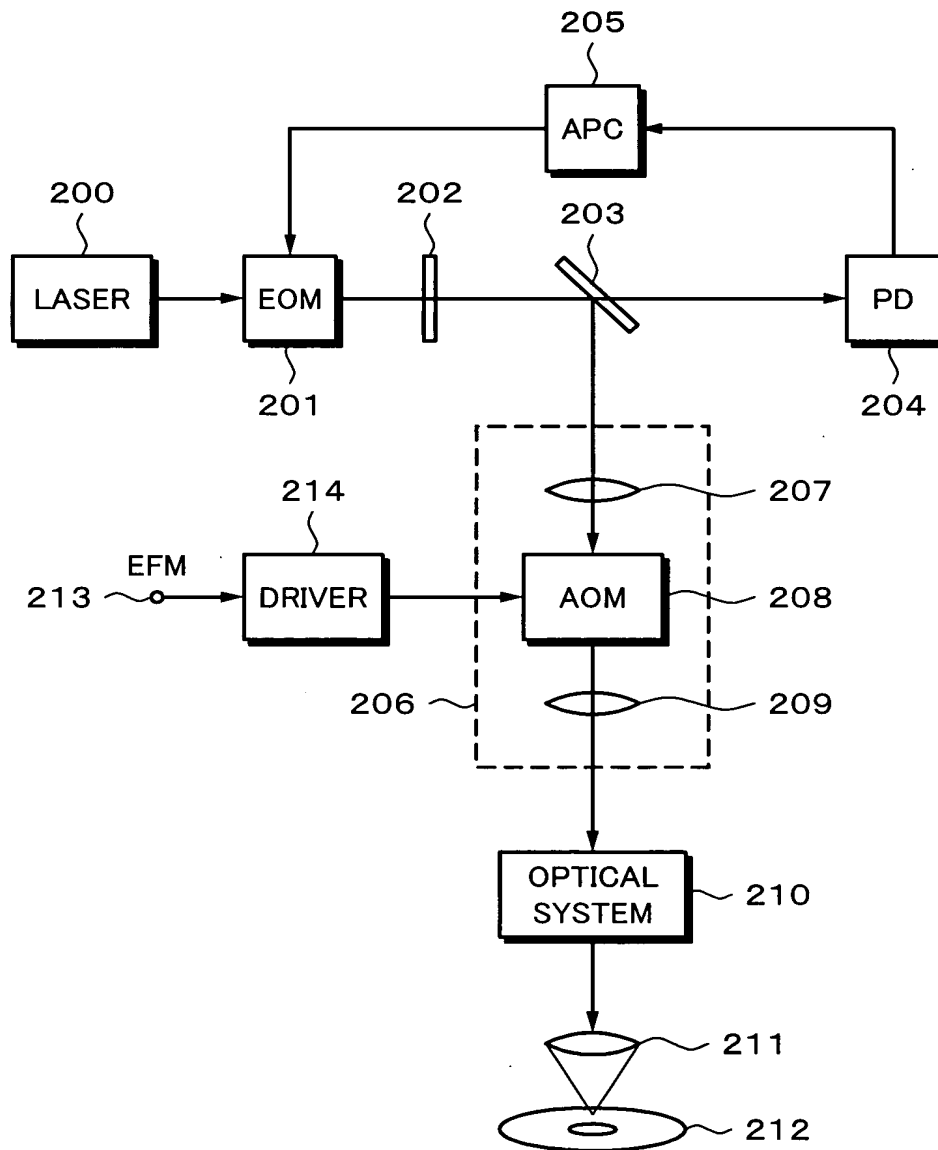


Fig. 5

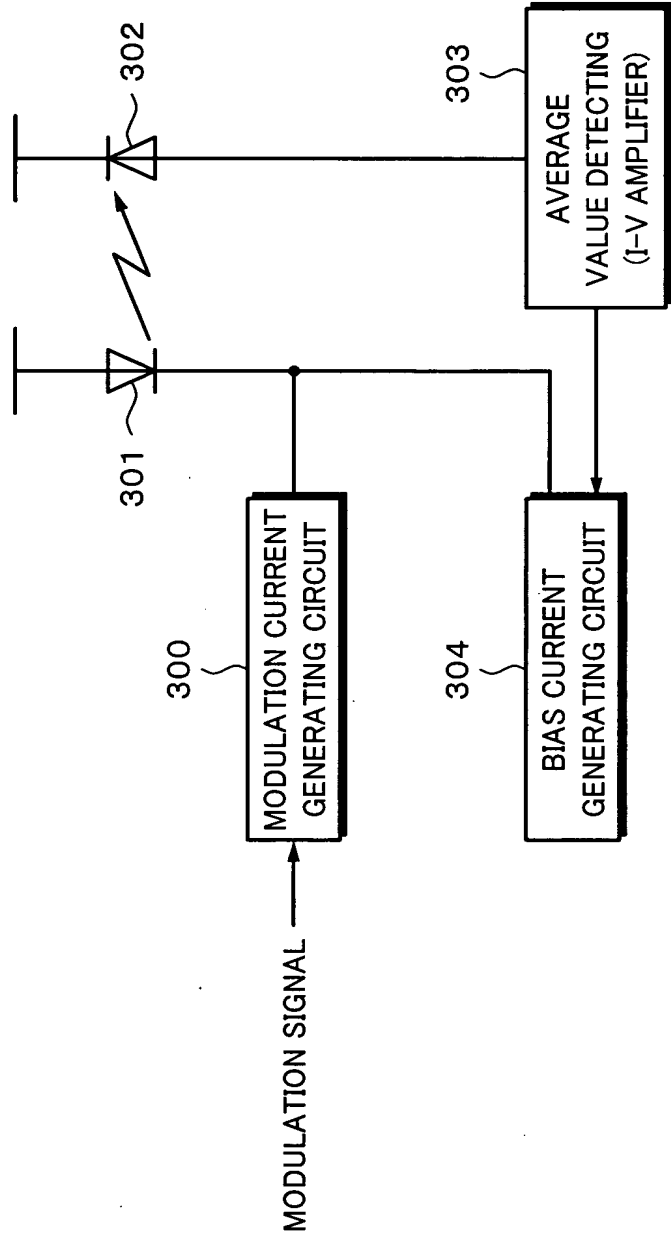


Fig. 6

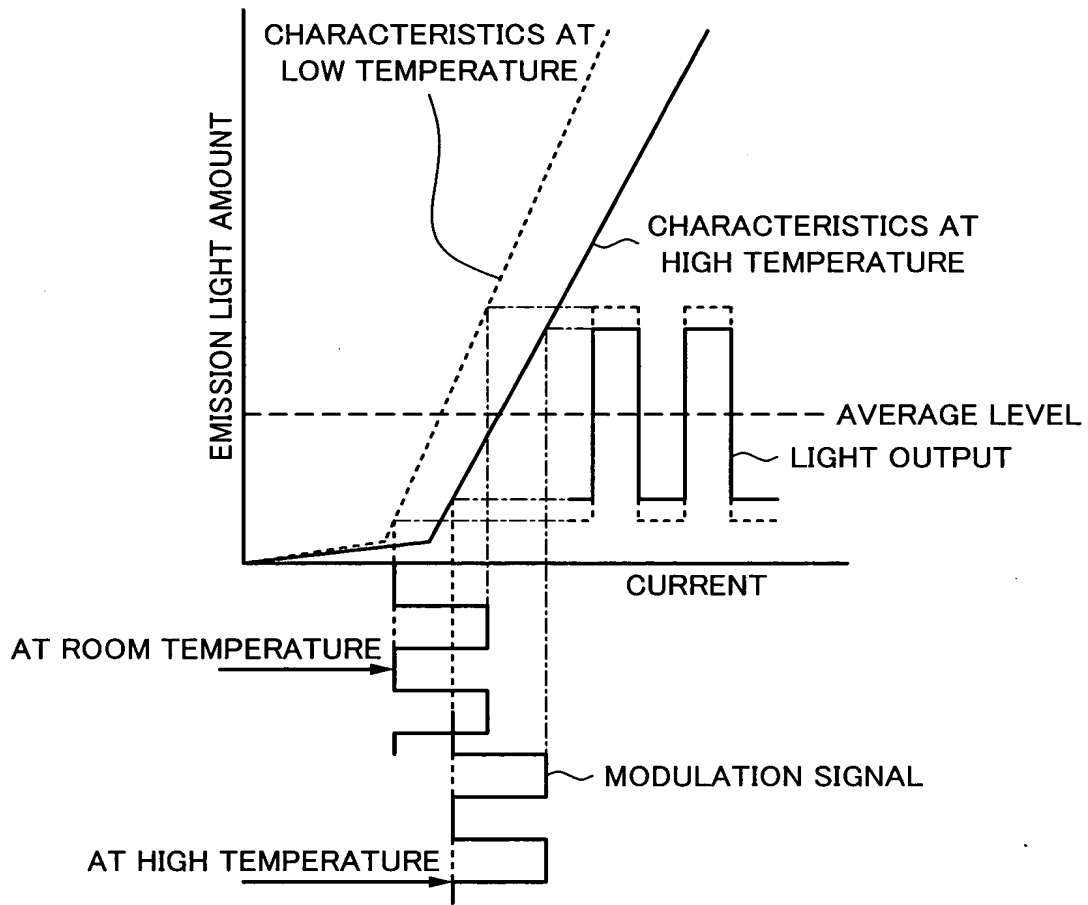
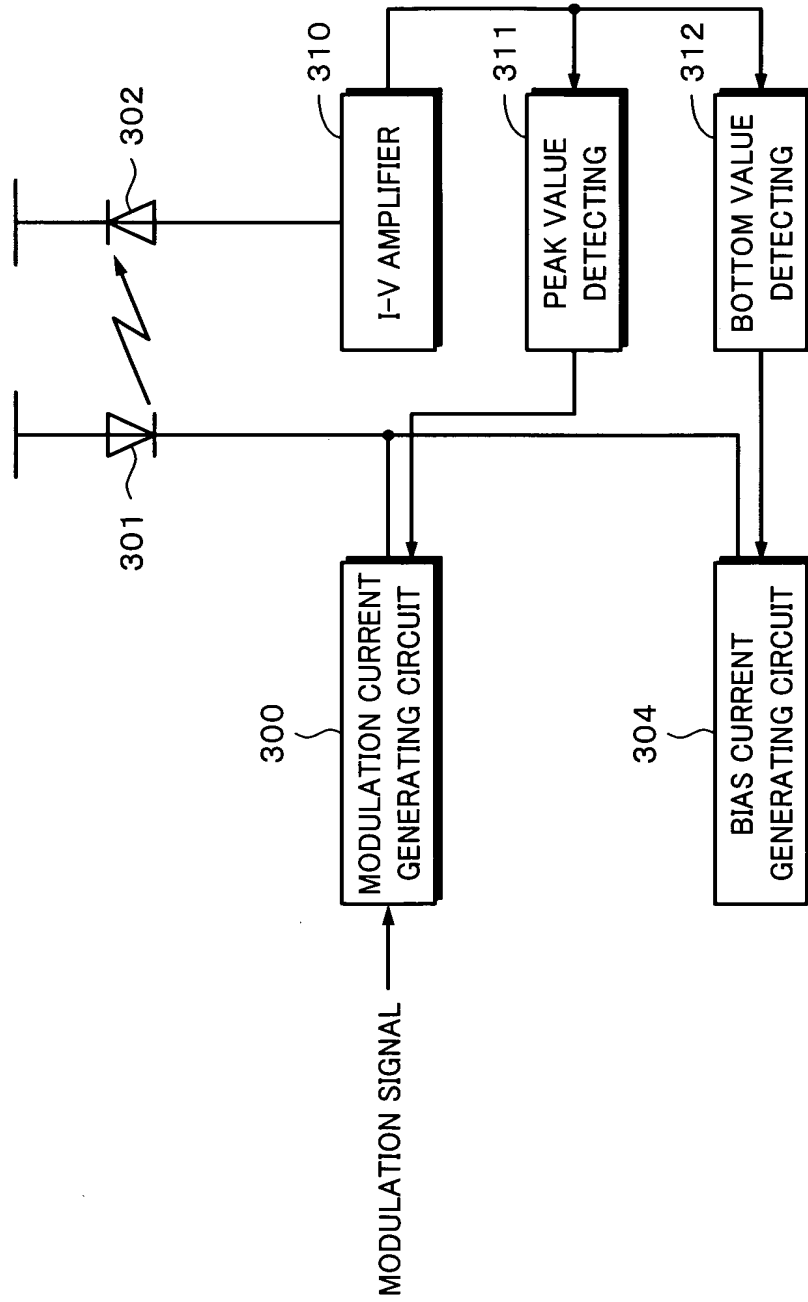


Fig. 7



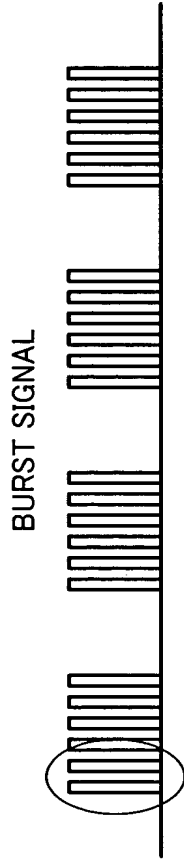


Fig. 8A



Fig. 8B



Fig. 8C



Fig. 8D

Fig. 9

LASER BEAM IN WHICH
EFM SIGNAL HAS BEEN MODULATED

WATERMARK PORTION

